

Delta Element Steam Traps

Models: DM6, DM12

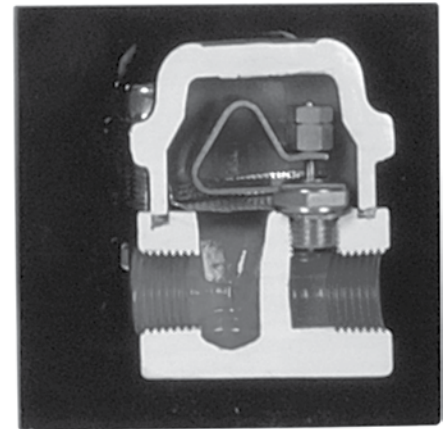
CRN: Canadian Registration Number Available

FOR STEAM MAIN DRIPLEG AND CRITICAL TRACING APPLICATIONS

3 Year No Live Steam Loss Guarantee

A line of lightweight, yet rugged, steam traps that provide modulating discharge of light condensate loads without the loss of live steam. These fully maintainable steam traps feature energy-efficient operation with excellent start-up capacities.

- **Maximum Differential Pressure** – DM6: 70 psi (4,8 bar); DM12: 150 psi (10,3 bar)
- **Easy maintenance** – traps are in-line repairable when isolated from live steam system and can be up and running again in minutes
- **Single blade element** – offers long-term, trouble-free service because it's not prone to dirt build-up as encountered with many other bimetal designs
- **Stainless Steel internals** – leads to longer service life since materials are highly resistant to fatigue and corrosion
- **Modulating discharge** – automatically adjusts to operating pressure and load
- **Continuous air and CO2 venting** – maximizes heat transfer while minimizing corrosion



ORDERING SCHEMATIC

| MODEL | | | | 6 | 7 | 8 |
|-------|---|---|---|---|---|---|
| D | M | 0 | 0 | 6 | | |

| MODEL | | | | | | | |
|-------|---|---|---|---|---|---|---|
| D | M | 0 | 1 | 2 | 1 | 1 | 0 |

| 6 | SIZE |
|---|------|
| 1 | 3/8" |
| 2 | 1/2" |
| 3 | 3/4" |

| 7 | CONNECTIONS |
|---|-------------|
| 1 | NPT (All) |
| 2 | FSW (All) |
| 8 | BSPT (All) |
| 9 | BSPP (All) |

| 8 | SPECIALITIES |
|---|--------------|
| 0 | None |



BESTOBELLSTEAM

A Division of
Richards Industrials
3170 Wasson Road
Cincinnati, OH 45209

phone. 513.533.5600

steam@richardsind.com
www.bestobellsteamtraps.com

FOR STEAM MAIN DRIPLEG AND CRITICAL TRACING APPLICATIONS

SPECIFICATIONS

Maximum Differential Pressure:

Model DM6: 70 psi (4,8 bar)

Model DM12: 150 psi (10,3 bar)

Maximum Allowable Pressure: 750 psig (51,7 bar)

Maximum Allowable Temperature: 650°F (343°C)

MATERIALS

Body & Cover: Forged Carbon Steel A105

Valve Seat: 303 SST

Stem: 17-4 SST

Bi-Metal: Stainless Steel NiCr

Strainer: Stainless Steel 304

Bolts: ASTM-A193, B7

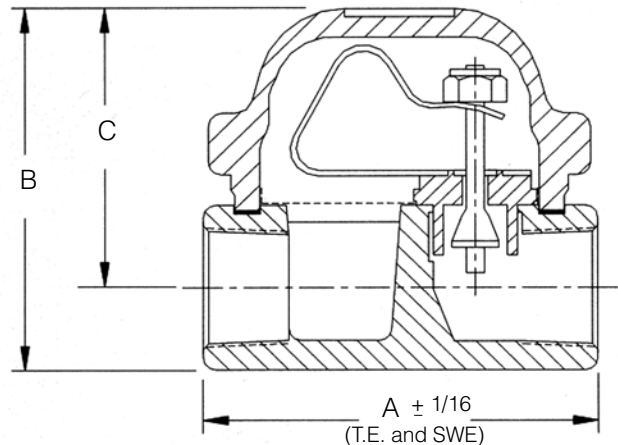
Gasket: Flexible Graphite

End Connections: NPT, BSPT, BSPP, SW

Mounting: From horizontal to vertical (see Installation & Maintenance Instructions). Self-Draining and freeze-resistant when mounted in vertical position.

Line Sizes: 3/8", 1/2", 3/4"

MODEL DM6 & DM12 SERIES DIMENSIONS



| Model DM6 & DM12 | | | | | |
|------------------|-------|-------|------|-------|---------|
| 3/8", 1/2" | A | B | C | D | Wt |
| inches | 2.438 | 3.0 | 2.25 | 2.438 | 2.2 lbs |
| mm | 62 | 76 | 57 | 62 | 1,0 kg |
| 3/4" | A | B | C | D | Wt |
| inches | 4.563 | 3.125 | 2.25 | 2.438 | 3.0 lbs |
| mm | 116 | 80 | 57 | 62 | 1,4 kg |

Notes: dimension D is overall width; **dimensions shown are for threaded or socket weld ends, contact factory for other dimensions

CAPACITY CHARTS: CONDENSATE CAPACITY AT OPERATING PRESSURE

| Model DM6 | | For larger capacities consider Model GM3 | | | | | | | | |
|------------|-------------------------------|--|----------|-----------|----------|----------|----------|-----------|-----------|----------|
| Size | Operating Pressure, psi (bar) | 2 (0,14) | 5 (0,34) | 10 (0,70) | 20 (1,4) | 30 (2,1) | 40 (2,8) | 50 (3,5) | 60 (4,1) | 70 (4,8) |
| 3/8" | Cold start-up, lbs/hr | 500 | 700 | 1000 | 1700 | 2000 | 2300 | 2400 | 2600 | 2700 |
| | Hot (dripleg), lbs/hr | 30 | 65 | 90 | 110 | 130 | 140 | 150 | 150 | 150 |
| 1/2" | Cold start-up, kgs/hr | 227 | 317 | 454 | 771 | 907 | 1043 | 1089 | 1179 | 1225 |
| | Hot (dripleg), kgs/hr | 12 | 29 | 40 | 49 | 58 | 63 | 68 | 68 | 68 |
| Model DM12 | | For larger capacities consider Model DM6 | | | | | | | | |
| Size | Operating Pressure, psi (bar) | 10 (0,69) | 20 (1,4) | 30 (2,1) | 50 (3,5) | 70 (4,8) | 90 (6,2) | 110 (7,6) | 130 (8,9) | 150 (10) |
| 3/8" | Cold start-up, lbs/hr | 750 | 1200 | 2200 | 2900 | 3500 | 4000 | 4200 | 4300 | 4500 |
| | Hot (dripleg), lbs/hr | 60 | 70 | 80 | 90 | 100 | 105 | 110 | 110 | 115 |
| 1/2" | Cold start-up, kgs/hr | 340 | 544 | 998 | 1315 | 1588 | 1814 | 1905 | 1950 | 2041 |
| | Hot (dripleg), kgs/hr | 27 | 31 | 36 | 49 | 45 | 47 | 49 | 49 | 52 |

Note: Flow rates are based on discharge to atmospheric pressure, valid for back pressure up to 20% of inlet pressure. Higher back pressure requires reset of control element to obtain these capacities. Consult factory for details.