



# BESTOBELLSTEAM

3170 Wasson Road • Cincinnati, OH 45209 USA  
Phone 513-533-5600 • Fax 513-871-0105  
steam@richardsind.com • www.bestobellsteamtraps.com

## Capsule Traps

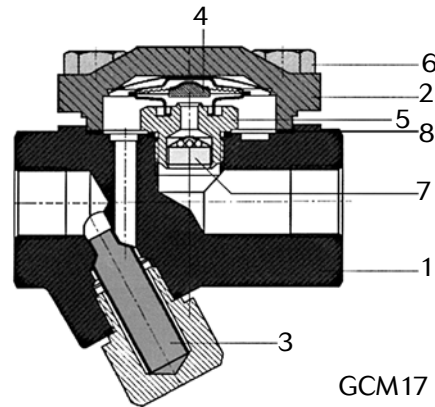
### Installation & Maintenance Instructions for Bestobell Steam Capsule Traps

**Warning:** Bestobell Steam products must only be used, installed and repaired in accordance with these Installation & Maintenance Instructions. Observe all applicable public and company codes and regulations. In the event of leakage or other malfunction, call a qualified service person; continued operation may cause system failure or a general hazard. Prior to servicing equipment, disconnect, shut off, drain and/or bypass all pressurized fluids.

### Pre-Installation

1. Blow out piping to remove any scale or dirt.
2. Verify that your Bestobell steam trap will meet system conditions by checking the nameplate for operating differential pressure and maximum pressure and temperature limits of the trap body.
3. These style traps can operate in any position, though the recommend installation is in a horizontal pipe run with the nameplate uppermost.
4. Isolation valves should always be installed on either side of the trap for service purposes.
5. Process heating or dripleg capsule traps should be located off a condensate collecting pocket below the condensate outlet of the heating equipment.

4. inspect for damage or wear to sealing areas. Replace seat and capsule as needed, as a set.
4. Inspect strainer screen (3) for dirt or damage. Replace as needed.



### Installation

Bestobell capsule steam traps feature a liquid-filled capsule that moves to shut off steam when condensate approaches the saturated steam temperature. Model GCM17 has a built-in Y-strainer and check valve and Model GSM17 is all stainless, in-line trap with the strainer inside the trap body.

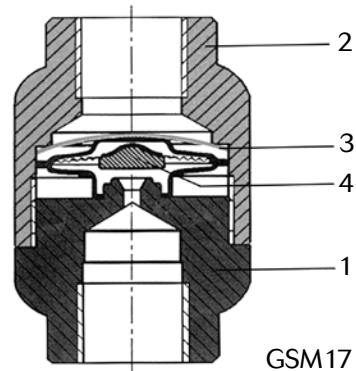
### Maintenance

#### Model: GCM17

1. Check that steam supply is shut-off and that the trap is fully isolated from pressure and cooled down.
2. Remove Cover (2) from Body (1) by removing Cover Bolts (6).
3. Remove Capsule (4) by lifting from Seat (5) and inspect for damage or wear to sealing areas. Replace seat and capsule as needed, as a set.
4. Inspect strainer screen (3) for dirt or damage. Replace as needed.
5. Replace body gasket (8).

#### Models: GSM17

1. Check that steam supply is shut-off. Ensure that all system pressures are off and trap is cool before opening.
2. Remove Cover (2) from Body (1) by un-screwing cover from body with a suitable wrench.
3. Remove Capsule (4) by lifting from Seat (5) and



Item	Part Name	Material	Qty
1	Body	A105, Brass or SST	1
2	Cover	A105, Brass or SST	1
3	Strainer	Stainless Steel	1
4	Capsule	Hastelloy & Stainless Steel	1
5	Seat	Stainless Steel	1
6	Cover Bolts	Non-Asbestos Fiber	4
7	Check Valve	Stainless Steel	1